

# ATS • US-2000 UPSTACKER



The **Automatic Upstacker Corner Line** offers a new, better alternative for unitizing boxed product from food to pharmaceuticals.

### **Benefits of the Automatic Upstacker Corner Line**

- ATS US-2000 Ultra-Sonic Technology
- Reduced packaging costs (Eliminates inner boxes or shrink wrap)
- High production rates
- Banding rate: Up to 25 bands per minute
- Minimal changeover time
- Materials available in 20mm, 30mm & 50mm
- Band with paper, clear poly, or white foamed "ribbon like" material



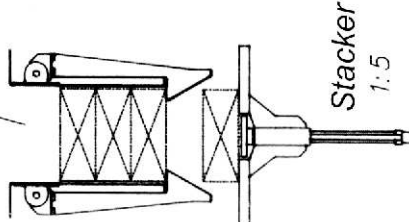
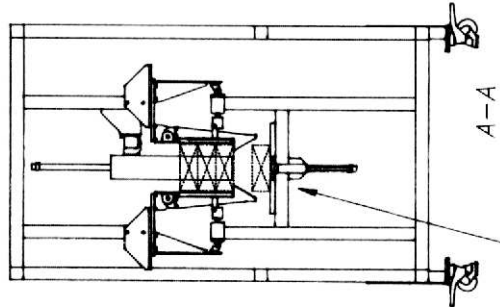
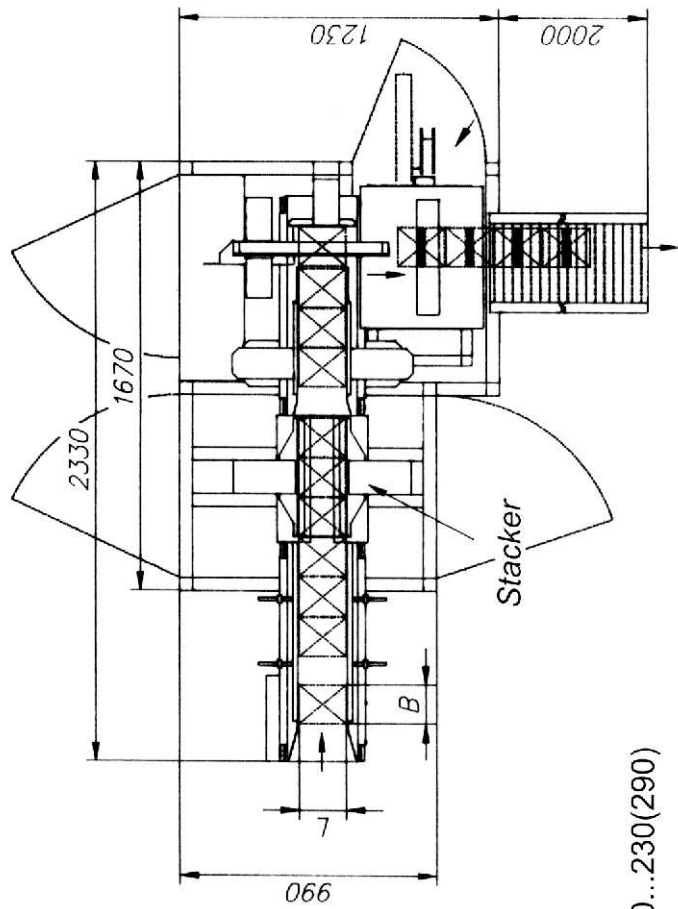
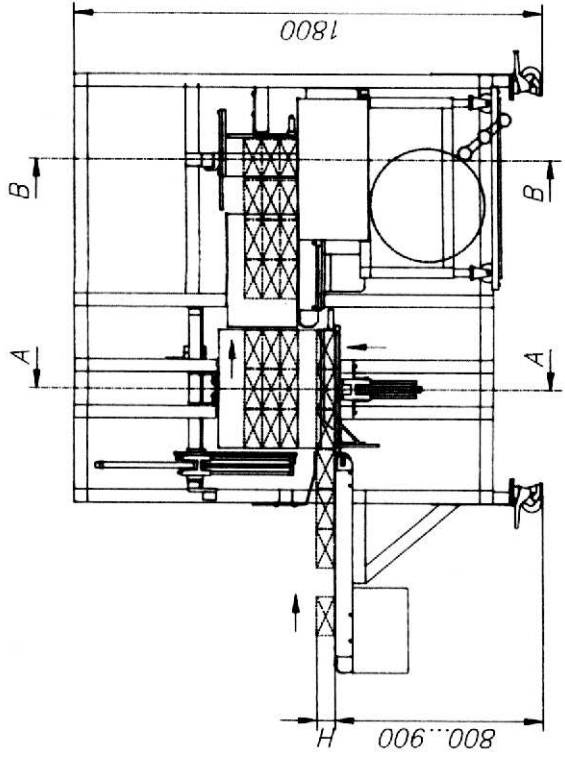
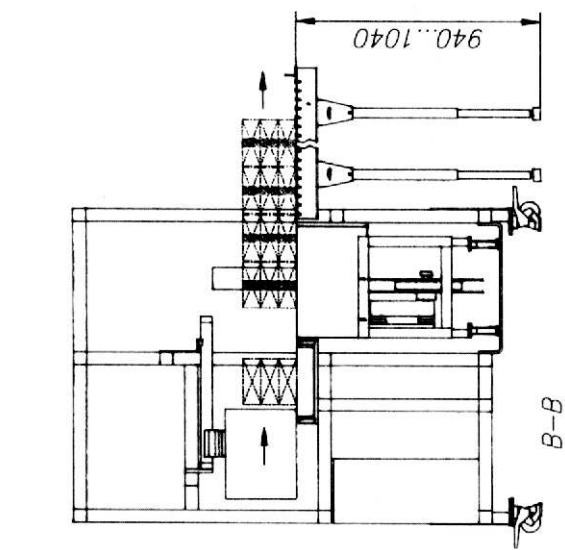
**WEXLER PACKAGING PRODUCTS**

*"The Banding People"*

777-M Schwab Road • Hatfield, PA 19440

215.631.9700 • Fax 215.631.9705 • 888.4.BANDING

web site: [www.wexlerpackaging.com](http://www.wexlerpackaging.com) • e-mail: [sales@wexlerpackaging.com](mailto:sales@wexlerpackaging.com)



Format LxW: 100...230(290) x 100...230(290)  
 Format Height: 10...70mm  
 Stack Height: 1...6 Products (max: 260mm)  
 Material Width: 15mm, 20mm, 30mm, and 50mm  
 Speed: 20-25 Stacks/Minute (1 band per stack)

Zeichnung	Objekt	Proj.	Verstärkung	Ag/22	Modell	Bemerkung
3.1.1	Verfahren 77.98 Du				Erweit. nach	
					Erweit. Nr.	
					W	2.12.97 Du
					U	
					Vergr.	1:10
					Ans.	
						1-4699/00 A

Stapler- und  
 Bänderanlange  
 Tanner & Co. AG  
 508 Mehrschachen, im BSH 807.23.44